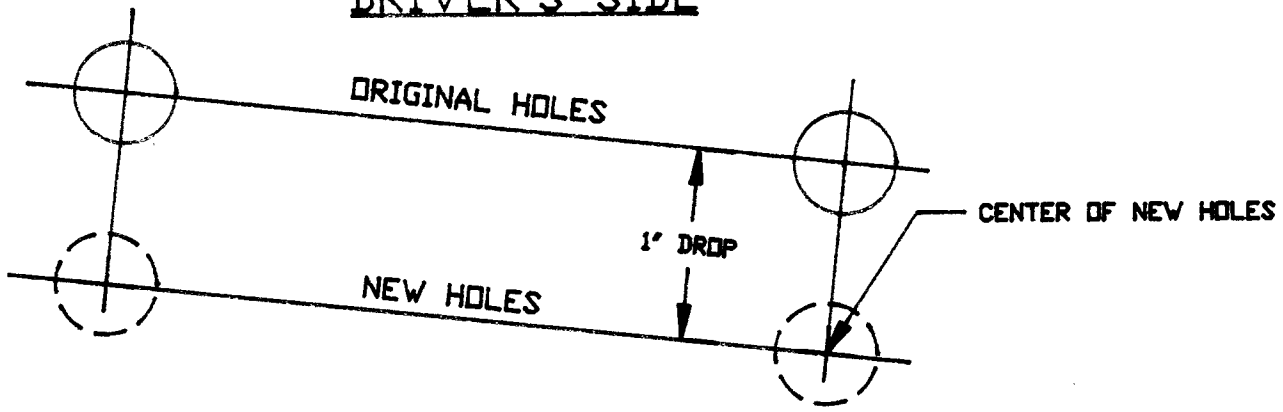
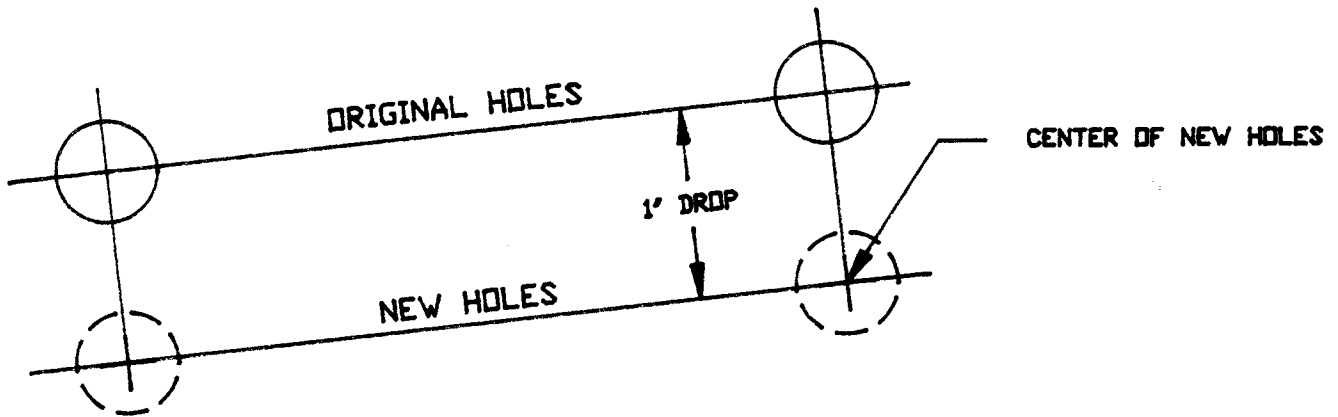


DRIVER'S SIDE



PASSENGER SIDE



SHELBY MUSTANG UPPER CONTROL ARM
RELOCATION FOR 1967 TO 1970 MODELS
USE 17/32" DRILL

SCALE

